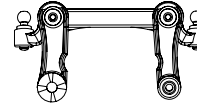


Name: <u>SUPER DIALED SETUP!</u>		Date: _____	Event: _____
City: _____ State: _____		Track: _____	
Track <input type="checkbox"/> Indoor <input type="checkbox"/> Tight <input type="checkbox"/> Smooth <input type="checkbox"/> Hard Packed <input type="checkbox"/> Blue Groove <input type="checkbox"/> Wet <input type="checkbox"/> Low Bite <input type="checkbox"/> High Bite Conditions <input type="checkbox"/> Outdoor <input type="checkbox"/> Open <input type="checkbox"/> Rough <input type="checkbox"/> Loose/Loamy <input type="checkbox"/> Dry <input type="checkbox"/> Dusty <input type="checkbox"/> Med Bite <input type="checkbox"/> Other _____			

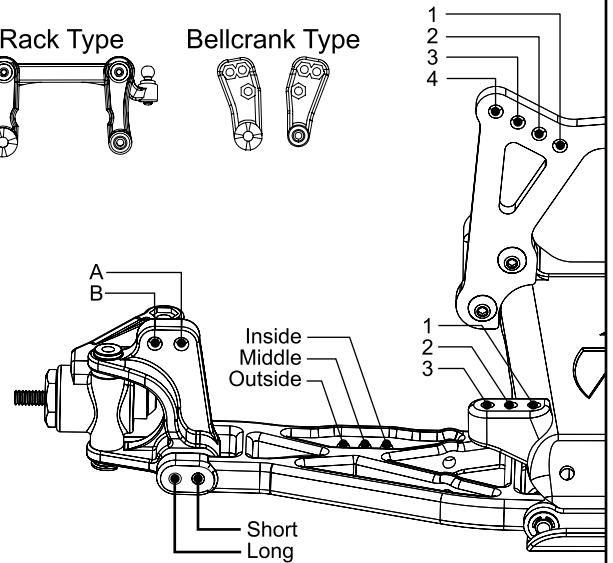
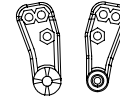
### Front Suspension

Toe: 0°  
 Ride Height: 24mm, Arms level  
 Camber: -1°  
 Caster: 30°  
 Sway Bar: No  
 Oil: 27.5wt.  
 Piston: #56  
 Spring: Orange  
 Limiters: None  
 Spindle Height: Bottom  
 Axle Spacer: Narrow  
 Steering Type: Rack  
 Bump Steer: None  
 Camber Link: 3-B, 1-Ball Stud Washer  
 Shock Location: 3-Middle  
 VLA: Short  
 Front Wing: Yes, on Tower

Rack Type



Bellcrank Type



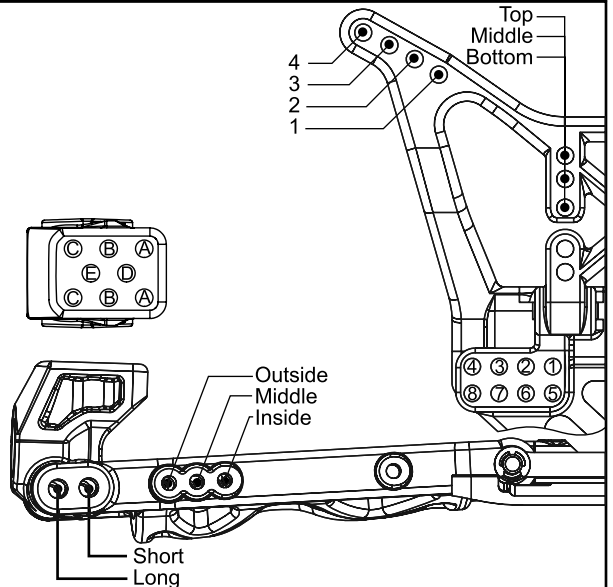
Notes: \_\_\_\_\_

\_\_\_\_\_

\_\_\_\_\_

### Rear Suspension

Toe: 3° Pivot, 0° Hubs  
 Pivot Support: 2°  
 Ride Height: 23mm, Dogbones just under level  
 Camber: -1°  
 Rear Hub Spacing: Center  
 Drive Shafts/Outdrives: Steel Dogbones, Steel w/Shims  
 Sway Bar: None  
 Oil: 27.5wt.  
 Piston: #56  
 Spring: Pink  
 Limiters: .170" (1-"A" Spacer (.120"), 1-1/32" (.030") Spacer  
 Camber Link: 2-B, 3 Ball Stud Washers  
 Shock Location: 1-Inside  
 VLA: Short  
 Wing Position/Mount: Standard/Middle  
 Body & Wing Type: XXX-CR  
 Battery Position: Forward

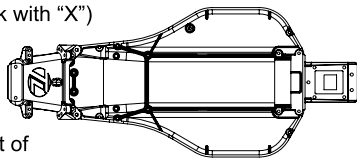


Notes: \_\_\_\_\_

\_\_\_\_\_

\_\_\_\_\_

Weight Placement  
(Mark with "X")



Weight of each piece \_\_\_\_\_ oz.

Tires: Type \_\_\_\_\_ Compound \_\_\_\_\_ Insert \_\_\_\_\_ Additive \_\_\_\_\_ Motor: \_\_\_\_\_  
 Front: X-Wide Body Red Standard \_\_\_\_\_ Spur: 78T  
 Rear: Big Shot Red Standard \_\_\_\_\_ Pinon: \_\_\_\_\_  
 Notes: Trim inside corners of Foam inserts.