

WHEEL GUIDE

The purpose of the wheel guide is to bring clarification to the different offsets, widths and diameters of wheels that Pro-Line and other manufactures offers. We feel that this is extremely important moving the industry forward as there are multiple choices of wheel dimensions for Monster Truck Enthusiasts.

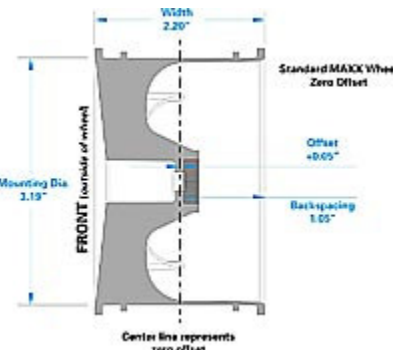
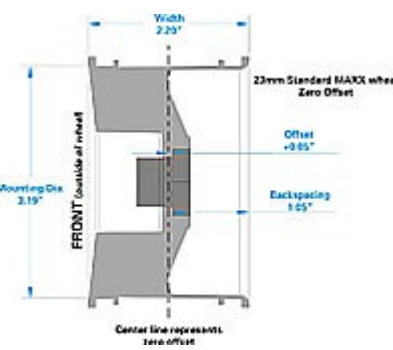
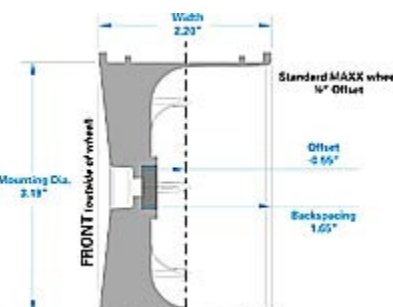
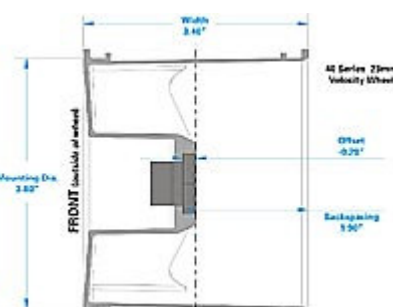
Terminology


- **STANDARD OFFSET**

Refers to standard MAXX offset wheels (stock MAXX wheels)

- **1/2" OFFSET**

1/2" offset will increase track width by 1/2" per side over the stock MAXX wheel.


Standard Hex Wheels	23mm HD Hex Wheels
 <p>Standard MAXX Wheel Zero Offset</p> <p>Width: 2.20"</p> <p>Mounting Dia: 3.19"</p> <p>Offset: +0.05"</p> <p>Backspacing: 1.65"</p> <p>Center line represents zero offset</p> <p>FRONT (outside of wheel)</p> <p>Wheel Width: 2.2" Mounting Dia: 3.2" Offset: 1/2"</p> <p>Wheels with this offset</p> <p>Velocity 6 (1/2" offset) #2662-01 Velocity Dish (1/2" offset) #2663-04</p>	 <p>23mm Standard MAXX wheel Zero Offset</p> <p>Width: 2.20"</p> <p>Mounting Dia: 3.19"</p> <p>Offset: +0.85"</p> <p>Backspacing: 1.65"</p> <p>Center line represents zero offset</p> <p>FRONT (outside of wheel)</p> <p>Wheel Width: 2.2" Mounting Dia: 3.2" Offset: 1/2"</p> <p>Wheels with this offset</p> <p>Standard Size Velocity Dish (1/2" offset) #2682-02/04</p>
 <p>Standard MAXX wheel 1/2" Offset</p> <p>Width: 2.20"</p> <p>Mounting Dia: 3.19"</p> <p>Offset: -0.65"</p> <p>Backspacing: 1.65"</p> <p>FRONT (outside of wheel)</p> <p>Wheel Width: 2.2" Mounting Dia: 3.2" Offset: Standard MAXX</p>	 <p>40 Series 23mm Velocity Wheel</p> <p>Width: 3.41"</p> <p>Mounting Dia: 3.82"</p> <p>Offset: -0.25"</p> <p>Backspacing: 1.90"</p> <p>FRONT (outside of wheel)</p> <p>Wheel Width: 3.4" Mounting Dia: 3.8" Offset: 1/2"</p>



Center line represents zero offset

Wheels with this offset

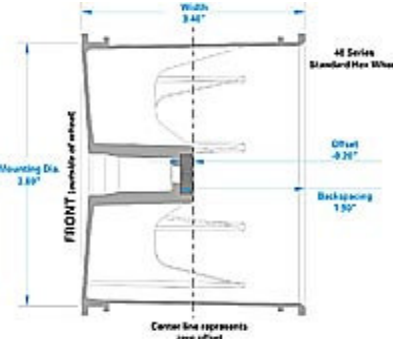
Velocity 6 (standard offset) [#2657-01](#)
 Velocity (standard offset) [#2660-02/04](#)



Center line represents zero offset

Wheels with this offset

40Series Velocity Dish [#2678-02/04](#)
 40Series Cheyenne [#2679-01](#)
 40Series Commando [#2680-01](#)
 Bead-Loc

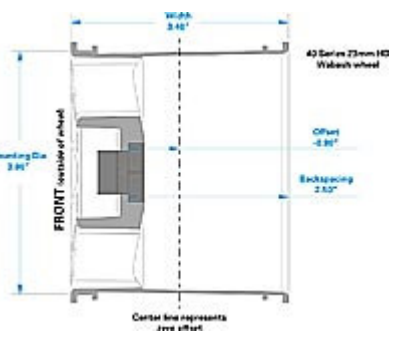


Center line represents zero offset

Wheels with this offset

40 Series Velocity 6 [#2664-01](#)
 40 Series Velocity [#2669-02/04](#)
 40 Series Mambo [#2670-01](#)

Wheel Width: **3.4"**
 Mounting Dia: **3.8"**
 Offset: **1/2"**



Center line represents zero offset

Wheels with this offset

40Series Wabash [#2681-02/04](#)

Wheel Width: **3.4"**
 Mounting Dia: **3.8"**
 Offset: **Standard REVO**
(direct fit)