

# PRO BOAT™

## Marine Engine Starting System

For use with Dynamite® .15 (PRB8100) and .32 (PRB8105) marine engines



### Introduction

Thank you for purchasing the Pro Boat™ Marine Engine Starting System. This unit removes the frustration of pull-starts by electrically starting nitro engines. Once installed, the Marine starting system allows you to start the engine by simply installing the wand into the Tiger Drive and pressing the starting button.

The provided shims and adapter plate allow quick and straightforward installation and in most cases, can be installed without removing the engine from the boat.

### Features

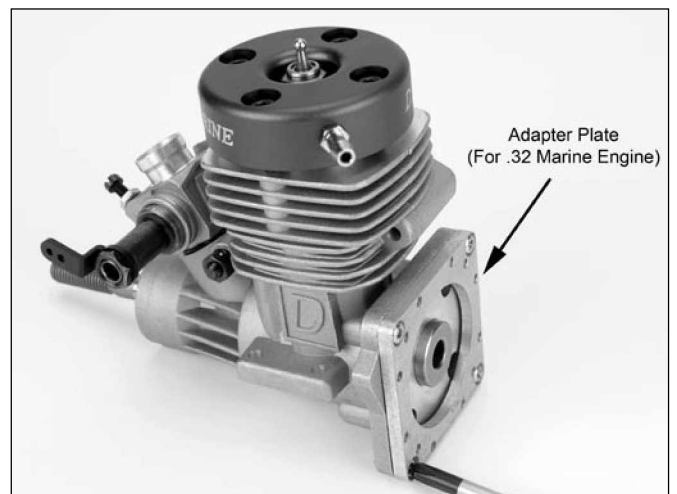
- High quality Tiger Drive creates a 90-degree starting angle for easy access
- Adjustable drive unit for starting at an angle
- Uses existing Dynamite backplate and bearing
- High-torque portable rotary starter powers up the engine with just the push of a button
- Powered by a standard 7.2V battery pack (sold separately)

### Installation



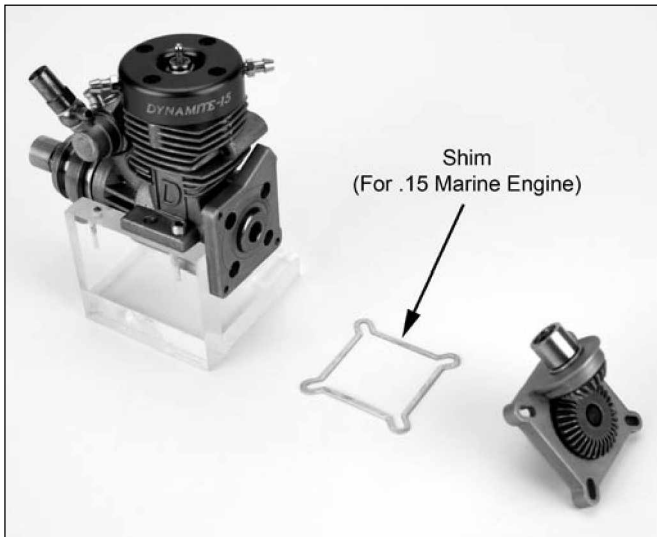
Step 1: Remove the 4 screws and pull-starter including the one-way shaft.

**Note:** The pull-starter is spring loaded. Use caution during disassembly.



Step 2: Using the screws that previously mounted the pull-starter, attach the adapter plate to the engine. Use screw-locking compound on all screws.

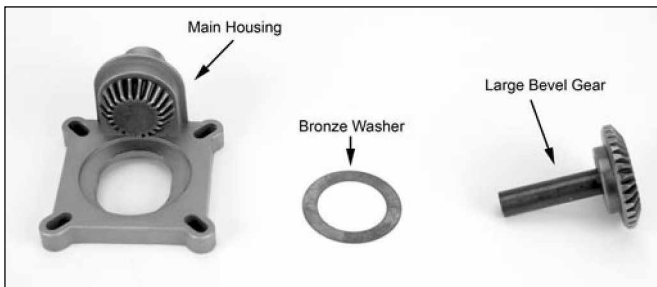
**Note:** Adapter plate not required for use with .15 marine engine.



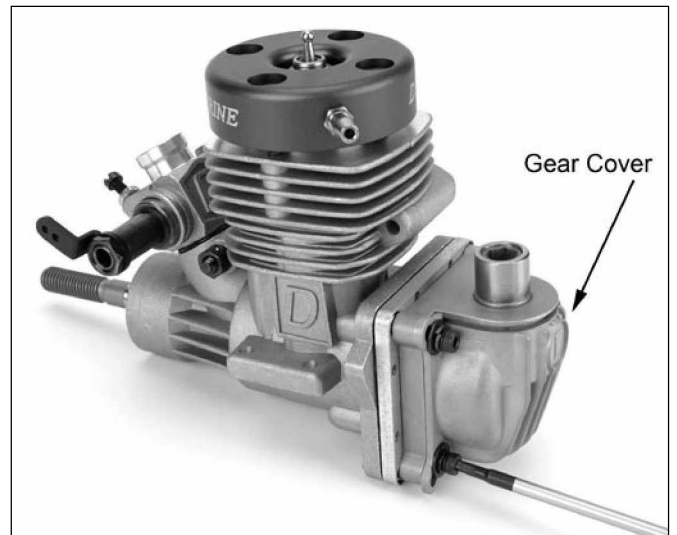
(.15 Marine Engine) Use the included shim plates between the backplate and the Tiger Drive main housing to create clearance for the starter shaft.



Step 4: Slide the large bevel gear shaft through the engine backplate and into one-way bearing. Put a small amount of grease on the bevel gears.



Step 3: Place the bronze washer behind the large bevel gear and insert them into the main Tiger Drive housing.



Step 5: Place the gear cover over the gears. Slide a 2.5mm lock washer, then a 2.5mm washer onto each of the 2.5 x 10mm screws. Secure the gear cover using the 2.5 x 10mm screws.

## Hand Held Starter



Step 1: Fully charge a 7.2V sub-C battery pack and install it in the starter as shown.

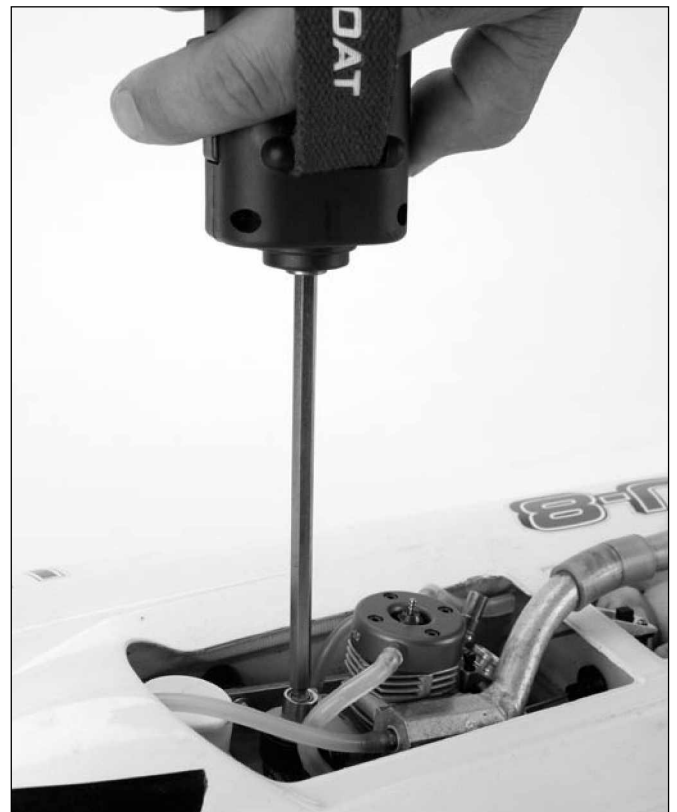


Step 2: Slide the starting wand (which is stored inside the battery cover) into the end of the starter, then replace the battery cover.

## Operation

Insert the starting wand into the Tiger Drive and actuate the starting switch until the engine begins to run.

**NOTE:** Stop operation immediately if the engine enters a hydro-locked condition as serious engine damage may occur if operation is continued. Remove the glow plug, invert the boat and operate starter to remove raw fuel before resuming normal operation.



## Maintenance

Lube gears with waterproof grease after every 30 hours of use. Check all screws for tightness after each run.

Additional Tiger Drives can be purchased separately though your local hobby shop: SUL687  
TIGERDRIVE: Dynamite .26-.32  
SUL689 TIGERDRIVE: Dynamite .12-.25

## Warranty

The Pro Boat™ Marine Engine Starting System is guaranteed against workmanship and manufacturing defects for a period of 1 year from the original date of purchase. This warranty is limited to the original purchaser and is not transferable. Warranty repair will not cover units that have been modified, misused, or serviced by an unauthorized service center. As with all fine electronics, avoid exposing your equipment to extreme temperatures, humidity, moisture, or exposure to direct sunlight for long periods of time.

Horizon Hobby, Inc. reserves the right to inspect any and all equipment involved in a warranty claim. Repair or replacement decisions are determined exclusively by Horizon Hobby, Inc. This warranty does NOT cover consequential, incidental or collateral damage under any circumstances. Due to the nature of this product and its use, by the act of using the product the user accepts all resulting liability.

If you have any questions about the operation or installation of this product, please feel free to call a product support representative at 1-877-504-0233. If your rotary starter needs to be inspected or repaired, ship the charger in its original box (freight prepaid) to:

Horizon Service Center  
Attn: Pro Boat Service  
4105 Fieldstone Rd.  
Champaign, IL 61822

Include your complete name and address and information inside the carton and clearly write it on the outer label/return address area. Include a brief summary of the difficulty. Date your correspondence and be sure that your name and address appear on this enclosure. Also, please include a phone number where you can be reached during the business day.

Please contact Sullivan Products USA for repairs pertaining to the Sullivan Tiger Drive starting system at:

Sullivan Products  
1 North Haven Street  
Baltimore, MD 21224  
[www.sullivanproducts.com](http://www.sullivanproducts.com)

## Warranty Repairs

To receive warranty service, you must include your original sales receipt verifying the proof-of-purchase date.

Providing warranty conditions have been met, your charger will be repaired free of charge.

## Non-Warranty Repairs

Should your repair cost exceed 50% of the retail purchase cost, you will be provided with an estimate advising you of your options. Any return freight for non-warranty repairs will be billed to the consumer. For non-warranty repairs, please advise us of the credit card you prefer to use. Horizon Service Center accepts Visa and MasterCard.

Please include your card number and expiration date. Horizon Service Center also accepts money orders.

© 2005 Horizon Hobby, Inc.

Pro Boat™ products are distributed exclusively by  
Horizon Hobby, Inc., Champaign, IL U.S.A.  
**[www.horizonhobby.com](http://www.horizonhobby.com)**

Made in Taiwan  
8362

