



# EVADER<sup>ST</sup>

## DETAILED ASSEMBLY GUIDE

USE THIS GUIDE ALONG WITH YOUR MANUAL.

REFER TO THE APPROPRIATE SECTION THAT PERTAINS TO YOUR REPLACEMENT PART

### CHASSIS REPLACEMENT

#### REMOVE OLD CHASSIS

1. (Diagram 2) Remove the four 4-40x5/16" screws (B) from the front bumper (2).
2. (Diagram 2) Remove the two rear 2.5mm e-clips (S) using a small flat blade screwdriver from the inner front hinge pins (104). Pull on the front hinge pin brace (50) to remove the two inner front hinge pins (104). Be careful not to loose the e-clips.
3. (Diagram 2) Loosen the 3mm set screw (K) from the bulkhead (51). Remove the bulkhead/chassis hinge pin (103).
4. (Diagram 2) Remove the four 4-40x3/4" screws (E) from the upper plate (52). Rotate the front assembly out of the way.
5. (Diagram 2) Remove the two 4-40x3/8" screws (C) from the servo brace (56) and set them aside.
6. (Diagram 2) Remove the two 4-40x5/16" screws (B) located on the bottom of the chassis that hold the servo mounts (6) to the chassis. Lift the servo saver assembly off at the same time as the servo.
7. Unplug the speed control from the receiver and remove the receiver from the chassis with the steering servo still plugged in. This will help during the re-assembly process.
8. (Diagram 2) Carefully pry out the two brass bushing (105) from the front of the chassis (1) using a hex wrench included with the kit.
9. Disconnect the motor leads from the speed control and remove the speed control from the rear shock tower (40).
10. (Diagram 1) Remove the four 4-40x1/2" screws (D) from the rear shock tower (40).
11. (Diagram 1) Remove the four 4-40x3/8" screws (C) from the rear chassis plate (41).

**The chassis (1) should be free from all other parts at this point.**

#### INSTALL NEW CHASSIS

1. (Diagram 1) Slide the rear chassis plate (41) and the chassis (1) together and re-install the four 4-40x3/8" screws (C).
2. (Diagram 1) Attach the rear shock tower (40) to the chassis (1), using the four 4-40x1/2" screws (D). The screws should pass through the rear shock tower (40), chassis (1) and thread into the transmission brace (42).
3. (Diagram 2) Install the two brass bushings (105) into the chassis.
4. (Diagram 2) Connect the chassis (1) with the front bulkhead (51) and install the bulkhead/chassis hinge pin (103) and tighten the 3mm set screw (K).

5. Install the steering servo into the chassis with the two 4-40x5/16" screws (B). **Note:** There are two sets of holes in the bottom of the servo mounts (6). Make sure you install the screws into the same hole they came out of. (Refer to page 9 of the instruction manual included with the kit).
6. Install the servo saver assembly onto the chassis.
7. (Diagram 2) Install the servo brace (56) onto the chassis using the two 4-40x3/8" screws (C).
8. (Diagram 2 & 3) Rotate the upper plate (52) onto the chassis. Make sure the metal pins (99 & 100) of the servo saver assembly are properly seated into the brass bushings (105) located in both the chassis and the upper plate. Attach the upper plate to the chassis using the four 4-40x3/4" screws (E).
9. (Diagram 2) Re-install the front suspension arms (38 & 39) to the front bulkhead using the inner hinge pins (104) and the front hinge pin brace (50). Secure the hinge pins by installing the two 2.5mm e-clips (S) onto the ends of the two hinge pins (104).
10. (Diagram 2) Attach the front bumper (2) using the four 4-40x5/16" screws (B).
11. Install the receiver to the chassis. You can try to remove double-sided foam block used on the old chassis or use several layers of new (not included) double-sided foam tape to obtain the same elevation so that the receiver will clear the rails on the chassis. **DO NOT cut the rails on the chassis for the receiver to fit, as this will drastically weaken the chassis.**
12. Install the electronic speed control to the rear shock tower using double-sided foam tape. Re-connect the servo lead to the receiver and the motor leads to the motor wires.

### FRONT BULKHEAD REPLACEMENT

#### REMOVE OLD BULKHEAD

(Refer to Diagram 2)

1. Remove the four 4-40x5/16" screws (B) from the front bumper (2) and set them aside.
2. Remove the two rear 2.5mm e-clips (S) using a small flat blade screwdriver from the inner hinge pins (104). Pull on the front hinge pin brace (50) to remove the two inner hinge pins (104).
3. Loosen the 3mm set screw (K) from the under side of the bulkhead (51). Remove the bulkhead/chassis hinge pin (103).
4. Remove the four 4-40x3/8" screws (C) that attach the front shock tower (49) to the front bulkhead (51) and rotate the shock tower out of the way.
5. Remove the two 4-40x5/16" screws (B) that attach the upper plate to the front bulkhead.

**The front bulkhead should be free from all of the other parts at this point.**

#### INSTALL NEW BULKHEAD

(Refer to Diagram 2)

1. Connect the front bulkhead (51) to the chassis (1) and install the bulkhead/chassis hinge pin (103) and tighten the 3mm set screw (K).
2. Re-install the two 4-40x5/16" (B) screws through the upper plate (52) and into the bulkhead (51).
3. Use the four 4-40x3/8" screws (C) to re-attach the front shock tower (49) to the bulkhead (51).

4. Re-install the front suspension arms (38 & 39) to the front bulkhead using the inner hinge pins (104) and the front hinge pin brace (50). Secure the hinge pins by re-installing the two 2.5mm e-clips (S) onto the ends of the two hinge pins (104).

5. Attach the front bumper (2) using the four 4-40x5/16" (B) screws.

## FRONT SUSPENSION ARM REPLACEMENT

### REMOVE OLD SUSPENSION ARM

(Refer to Diagram 2)

1. Remove the four 4-40x5/16" screws (B) from the front bumper (2) and set them aside.

2. Remove the front suspension arm (38 or 39) by removing the rear 2.5mm e-clip (S) from the inner front hinge pin (104). Slide the inner front hinge pin out of the bulkhead and suspension arm.

3. Remove the 4-40x1/2" screw (D) that attach the bottom of the shock to the front suspension arm. Rotate the shock out of the way.

4. Remove the front wheel.

5. Remove the two 2mm e-clip (R) from the front of the outer hinge pin (95) and slide the outer hinge pin out.

**The front suspension arm should be free from all of the other parts at this point.**

### INSTALL THE NEW FRONT SUSPENSION ARM

(Refer to Diagram 2)

1. Install the front suspension arms (38 or 39) to the front bulkhead (51) using the inner hinge pin (104). Secure the hinge pin by re-installing the 2.5mm e-clip (S) onto the end of the hinge pin (104).

2. Re-attach the front bumper (2) using the four 4-40x5/16" screws (B).

3. Attach the shock to the new suspension arm (38 or 39) by installing the 4-40x1/2" screw (D).

4. Insert the outer hinge pin (95) through the front suspension arm and front hub carrier (28). Secure the hinge pin by re-installing the 2mm e-clip (R).

5. Re-install the front wheel and secure it using the 3/16" nuts (M).

## UPPER PLATE & SERVO BRACE REPLACEMENT

### REMOVE OLD UPPER PLATE AND SERVO BRACE

(Refer to Diagram 2)

1. Loosen the four 4-40x3/8" screws (C) in the front shock tower (49) two turns.

2. Remove the four 4-40x3/4" screws (E) and the two 4-40x1/4" (B) screws and remove the upper plate (52) leaving the servo saver assembly in place.

3. Remove the two brass bushing (105) from the upper plate (52) using a hex wrench included with the kit to pry them out.

4. Remove the two 4-40x3/8" screws (C) and remove the servo brace (56).

### INSTALL THE NEW UPPER PLATE AND SERVO BRACE

(Refer to Diagram 2)

1. Install the new servo brace (56) using the two 4-40x3/8" screws (C).

2. Install the two brass bushings (105) into the new upper plate (52)

3. Install the new upper plate using the four 4-40x3/4" screws (E) and two 4-40x1/4" screws (B).

4. Tighten the four 4-40x3/8 screws (C) in the front shock tower (49).

## REAR CHASSIS PLATE REPLACEMENT

### REMOVE THE OLD CHASSIS PLATE

(Refer to Diagram 1)

1. Remove the two 2.5mm e-clips (S) using a flat blade screwdriver from the inner rear hinge pins (97) then, remove the hinge pins.

2. Remove the two 4-40x1/4" screws (A) to detach the rear chassis plate (41) from the motor guard (3).

3. Remove the two 4-40x3/8" screws (C) that remove the rear chassis plate (41) to the gearbox.

4. Remove the four 4-40x3/8" screws (C) to remove the rear chassis plate (41) from the chassis (1).

**The rear chassis plate should be free from all other parts at this point.**

### INSTALL NEW REAR CHASSIS PLATE

(Refer to Diagram 1)

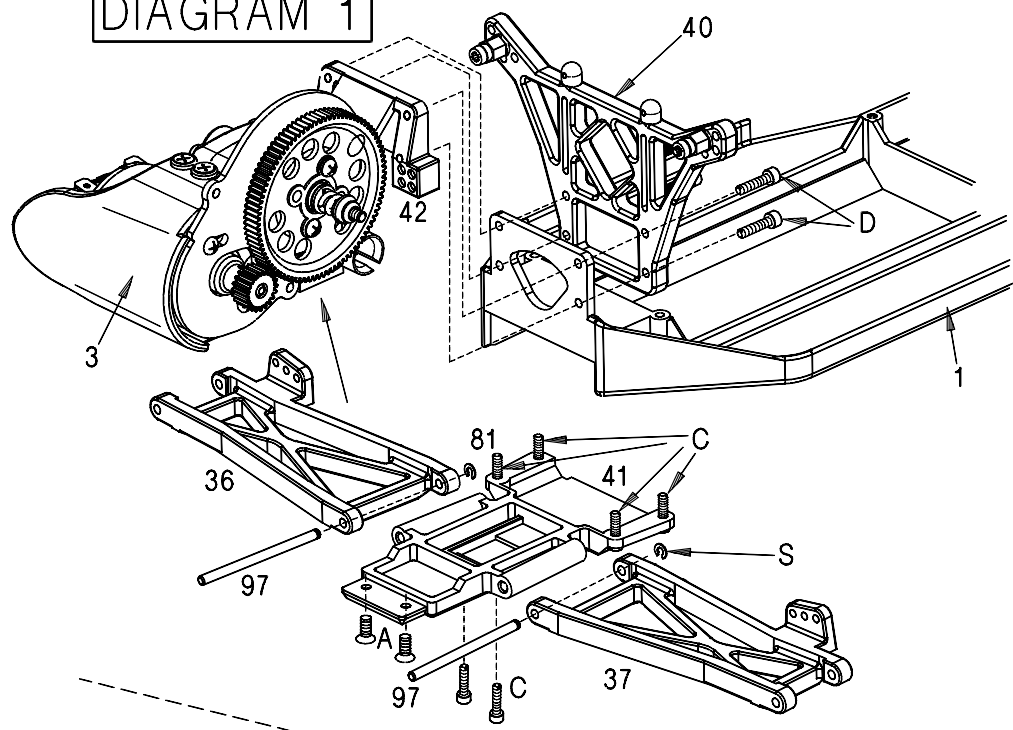
1. Attach the new rear chassis plate (41) to the chassis (1) using the four 4-40x3/8" screws (C).

2. Install the two 4-40x3/8" screws (C) to secure the gearbox to the main chassis plate (41).

3. Install the two 4-40x5/16" (B) screws that attach the rear chassis plate (41) to the motor guard (3).

4. Attach the rear suspension arms (36 & 37) to the rear chassis plate (41) using the two inner rear hinge pins (97). Secure the hinge pins by re-installing the two 2.5mm e-clips (S) onto the hinge pins. **Hint: First position the e-clips in the grooves of the hinge pins using your finger. Then, use a flat blade screwdriver to push the e-clip in place.**

DIAGRAM 1



Hardware Chart  
(Actual size)

- 4-40 X 1/4" F/H SCREW  
A
- 4-40 X 5/16" F/H SCREW  
B
- 4-40 X 3/8" CAP SCREW  
C
- 4-40 X 1/2" CAP SCREW  
D
- 4-40 X 3/4" CAP SCREW  
E
- 2mm E-CLIP  
R
- 2.5mm E-CLIP  
S

DIAGRAM 3

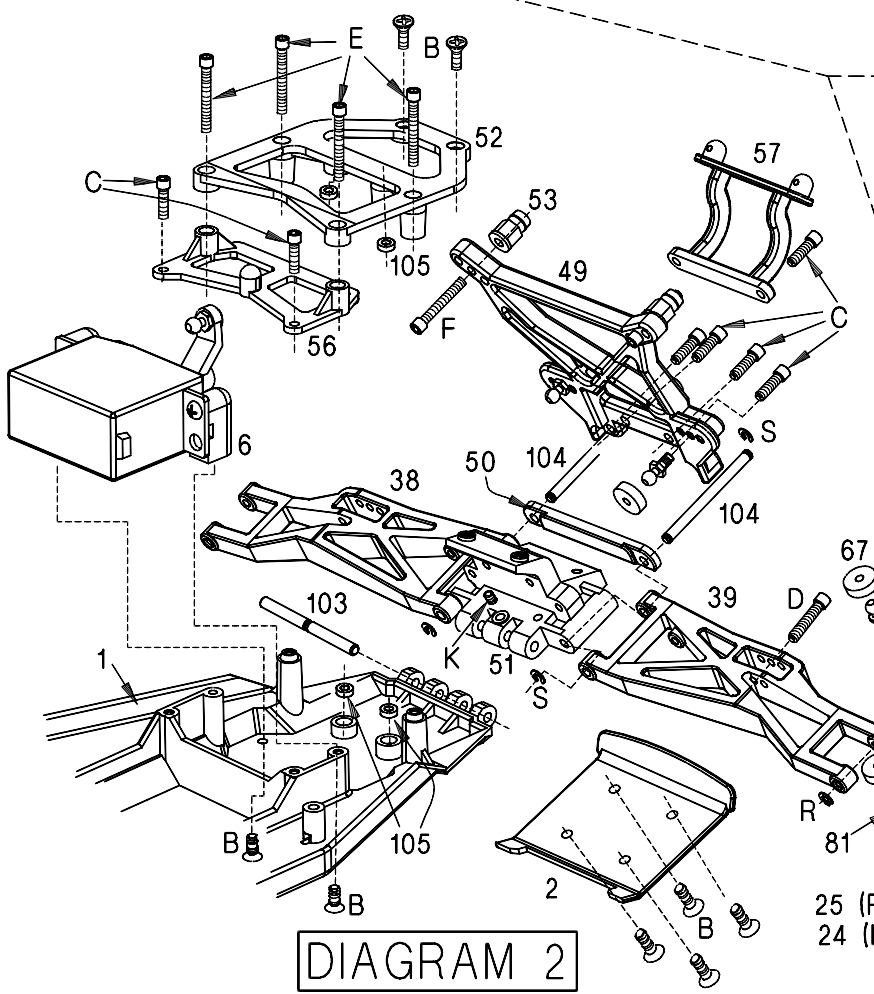
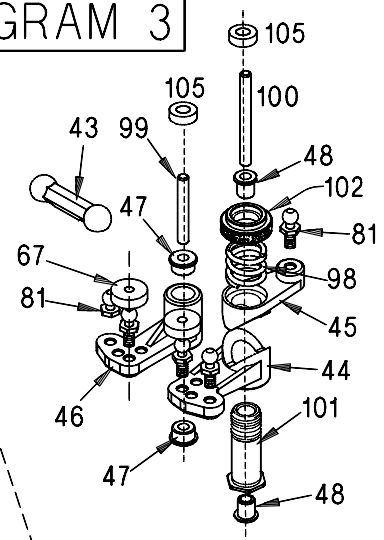


DIAGRAM 2

25 (Right)  
24 (Left)