

## *How to set correct Gear mesh*

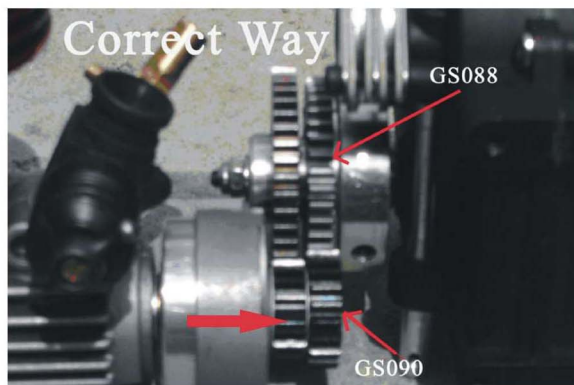
You need to make sure that your clutch bell gears (GS090 and GS089) are correctly spaced in relation to the spur gears (GS088 and GS087). Below are some pictures showing the correct spacing and the wrong spacing. Included with these instructions are engine, and clutch bell shims. Use these shims to achieve the correct gear alignment. This is critical to the life of your spur gears.

First you will have to remove the engine from the truck. Refer to your GENESIS manual on how to remove the engine from the truck.

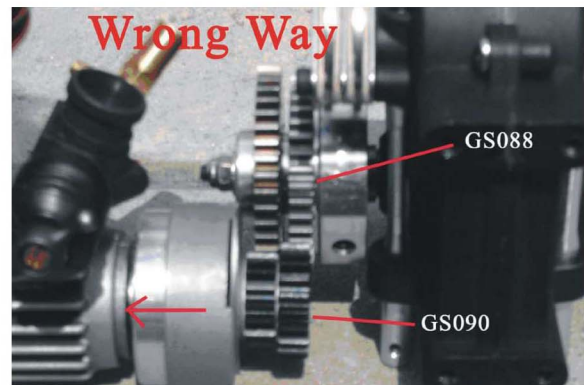
Next you will have to take the clutch bell (GS079) off the engine's crankshaft. Unscrew the 3x8mm screw that is holding on the clutch bell. Remove the clutch bell. Note: Be careful to not lose the 3mm washer and the two 5x10x4 bearings (G73902).

To correctly shim the clutch bell, use the shims provided. The small shims are for use on the engine's crankshaft. Slide them onto the shaft before putting on the clutch bell. (Moving the clutch bell further out on the shaft)

The larger shims are for spacing the clutch bell gears (GS090 and GS089) further apart to prevent interference with the opposing spur gears (GS088 and GS087).



Correct Way!



Wrong Way!

Notice where and how the gears are lined up in each picture. Make sure that your Gear mesh matches the picture on the left. This is very important, in doing so your spur gears will not chip or shatter.

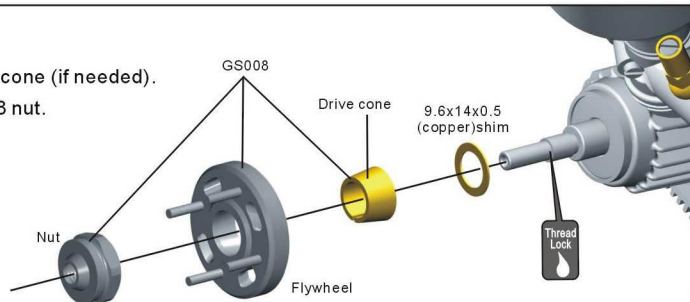


## Shim Installation (GENESIS)

### 74 Vented Flywheel

1. Install one 9.6x14x0.5 copper shim onto the crankshaft followed by the drive cone (if needed).
2. Next slide the GS008 flywheel onto the drive cone and secure with the GS008 nut.

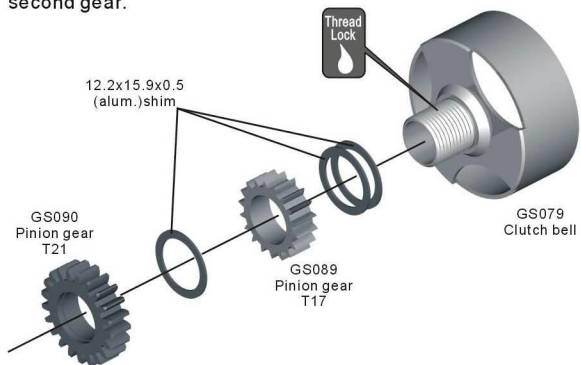
**Notice:** Thread lock is recommended for the nut.



### 76 Clutch Bell

1. Put adjusting shim onto the clutch bell after threading on the first pinion gear if needed.
2. Slide one more adjusting shim onto the clutch bell and thread on second gear.

- **Notice:** Thread lock recommended for both pinion gears.



### 77 Clutch Bell

1. Press one 5x10x4 bearing into each side of the clutch bell.
2. Slide 5x7x0.2 shims onto the crankshaft followed by the clutch bell.
3. Secure with one 3x8 cap screw and washer.

